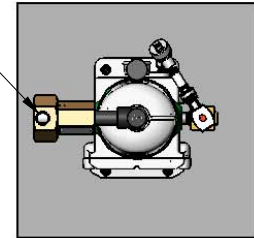
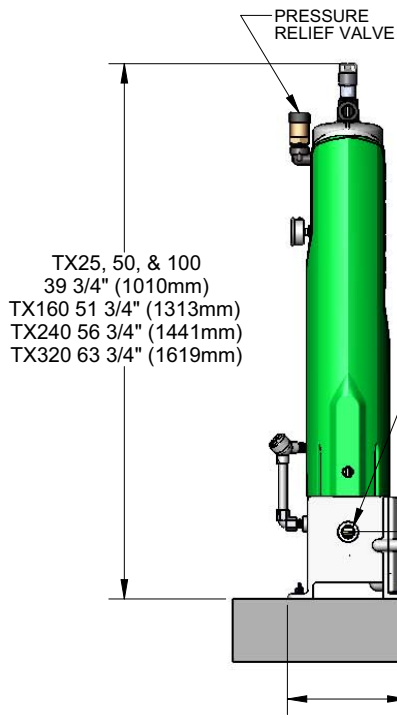


TORREXX ECONOMY VALVE 1" FNPT OUTLET



**ECONOMY OPTION TOP VIEW**



1" FNPT VAPOR OUTLET

Liqui-SAFE VALVE

ALUMINUM BODY

FLOAT

HEATING ELEMENT CORE

TEMPERATURE CONTROL SENSOR

INSULATION JACKET

INLET SOLENOID VALVE 3/4" FNPT

CONTROL HOUSING COVER

10 GA WIRE MESH OR DEFORMED REBAR

CONCRETE PAD  
24" X 24" X 4" THK  
(610mm X 610mm X 101mm THK)

TX25, 50 & 100 41" (1040mm)  
TX160 47" (1190mm)  
TX240 52" (1320mm)  
TX320 59" (1500mm)

TX25, 50, & 100  
39 3/4" (1010mm)  
TX160 51 3/4" (1313mm)  
TX240 56 3/4" (1441mm)  
TX320 63 3/4" (1619mm)

1 OR 3 PHASE ELECTRICAL SERVICE REQD (1" FNPT)

6.50

11 1/4" (286mm)

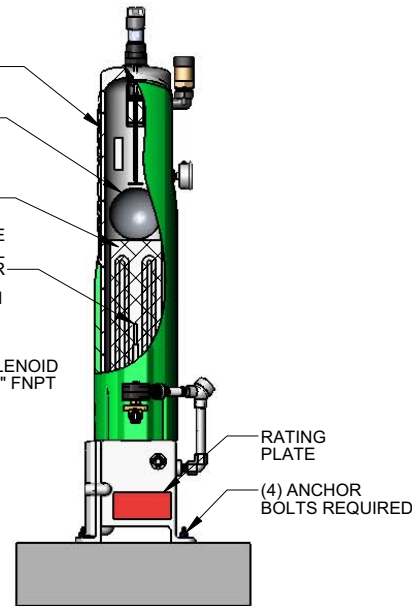
12 1/4" ± 1/8" (311mm)

9 1/8" (232mm)

CONCRETE PAD  
24" X 24" X 4" THK  
(610mm X 610mm X 101mm THK)

**NOTES:**

- ENCLOSURE NEMA 4
- CONFORMS TO CLASS I DIVISION 1 GROUP D LOCATIONS
- FM AND FMc APPROVED
- PRESSURE VESSEL RATED AT 250 PSIG
- SUITABLE FOR INDOOR/OUTDOOR INSTALLATION
- RELIEF VALVE SETTINGS 250 PSIG
- AVOID DRY RUBBING OF THE INSULATION JACKET TO AVOID ELECTRO STATIC CHARGING HAZARD. ALWAYS USE A DAMP CLOTH FOR CLEANING.

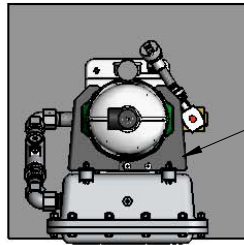


**ECONOMY OPTION FRONT VIEW**



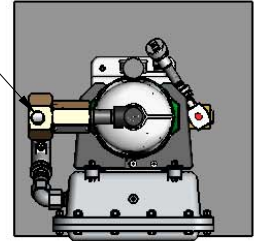
Drawn By:	<b>P. LEUNG</b>	Date:	10-20-06
Checked By:		Scale:	<b>NONE.</b>
Approved By:	<i>AW</i> 2009.10.08 18:12:23 -07'00'	Job No.:	<b>A.S.D.I. STD.</b>
Part Number:	<b>N/A</b>		

Title: <b>TORREXX SERIES ELECTRIC VAPORIZER LPG</b>			
Size: <b>B</b>	Dwg. No.: <b>5001-6001</b>	Sht. No.: 1 of 2	Rev.:



CONTROL BOX MOUNTING CLAMP

MERCURY RELAY OPTION TOP VIEW



TORREXX ECONOMY VALVE 1" FNPT OUTLET

MERCURY RELAY AND ECONOMY OPTIONS TOP VIEW



MERCURY RELAY AND ECONOMY OPTIONS FRONT VIEW

1" FNPT VAPOR OUTLET

3 PHASE ELECTRICAL SERVICE REQUIRED 1 1/4" FNPT (THREAD PROTECTOR INSTALLED FOR SHIPPING)

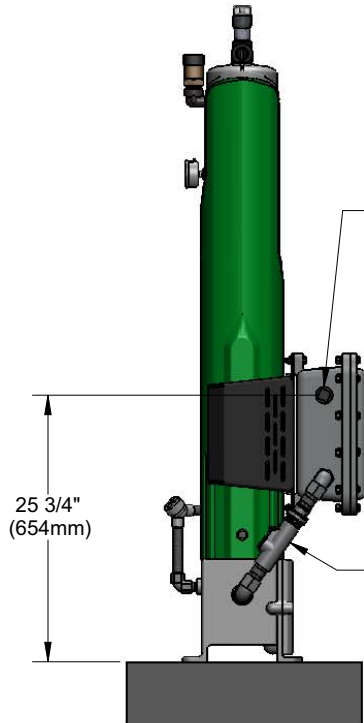
FACTORY INSTALLED CONDUIT WITH SEAL OFF

MERCURY RELAY CONTROL BOX

INLET SOLENOID VALVE 3/4" FNPT



MERCURY RELAY OPTION FRONT VIEW



25 3/4" (654mm)

MERCURY RELAY OPTION SIDE VIEW



Drawn By:	P. LEUNG	Date:	10-20-06
Checked By:		Scale:	NONE.
Approved By:		Job No.:	A.S.D.I. STD.
Part Number:	N/A		

Title:			
TORREXX SERIES ELECTRICAL VAPORRIZER LPG			
Size:	Dwg. No.:	Sht. No.:	Rev.:
B	5001-6001	2 of 2	



Power Equipment Company  
Manufacturers' Representative & Distributor  
2011 Williamsburg Road  
Richmond, Virginia 23231  
T: 804-236-3800  
F: 804-236-3882  
[sales@peconet.com](mailto:sales@peconet.com)  
[www.peconet.com](http://www.peconet.com)