

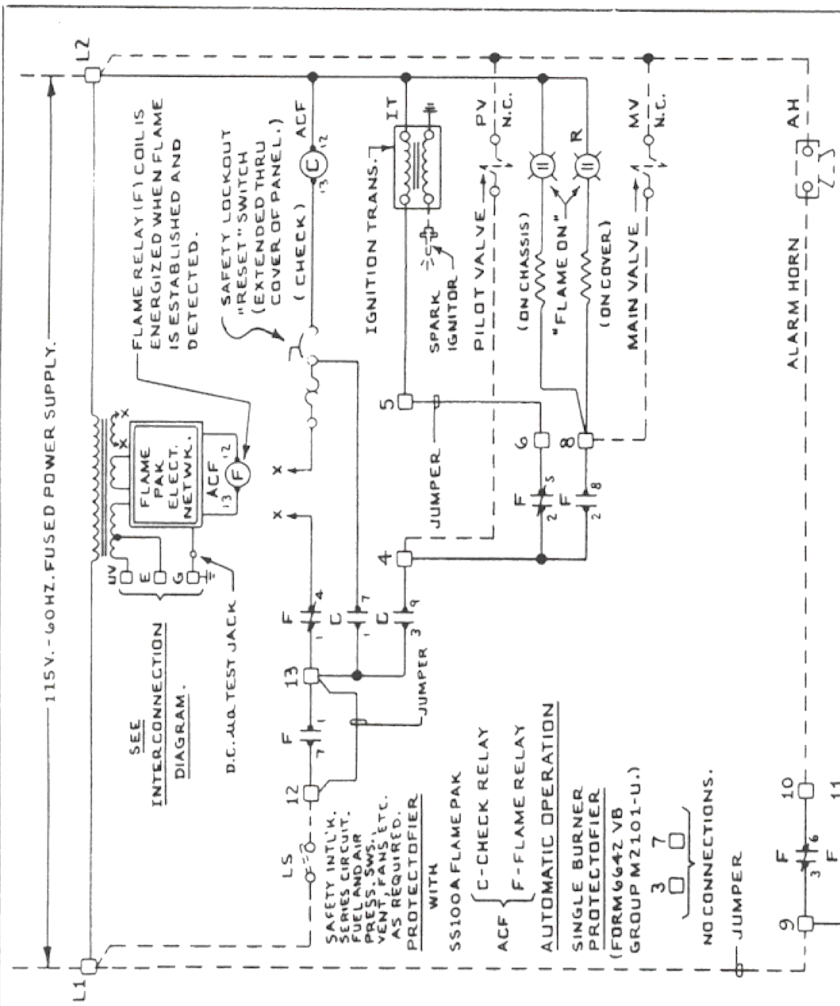
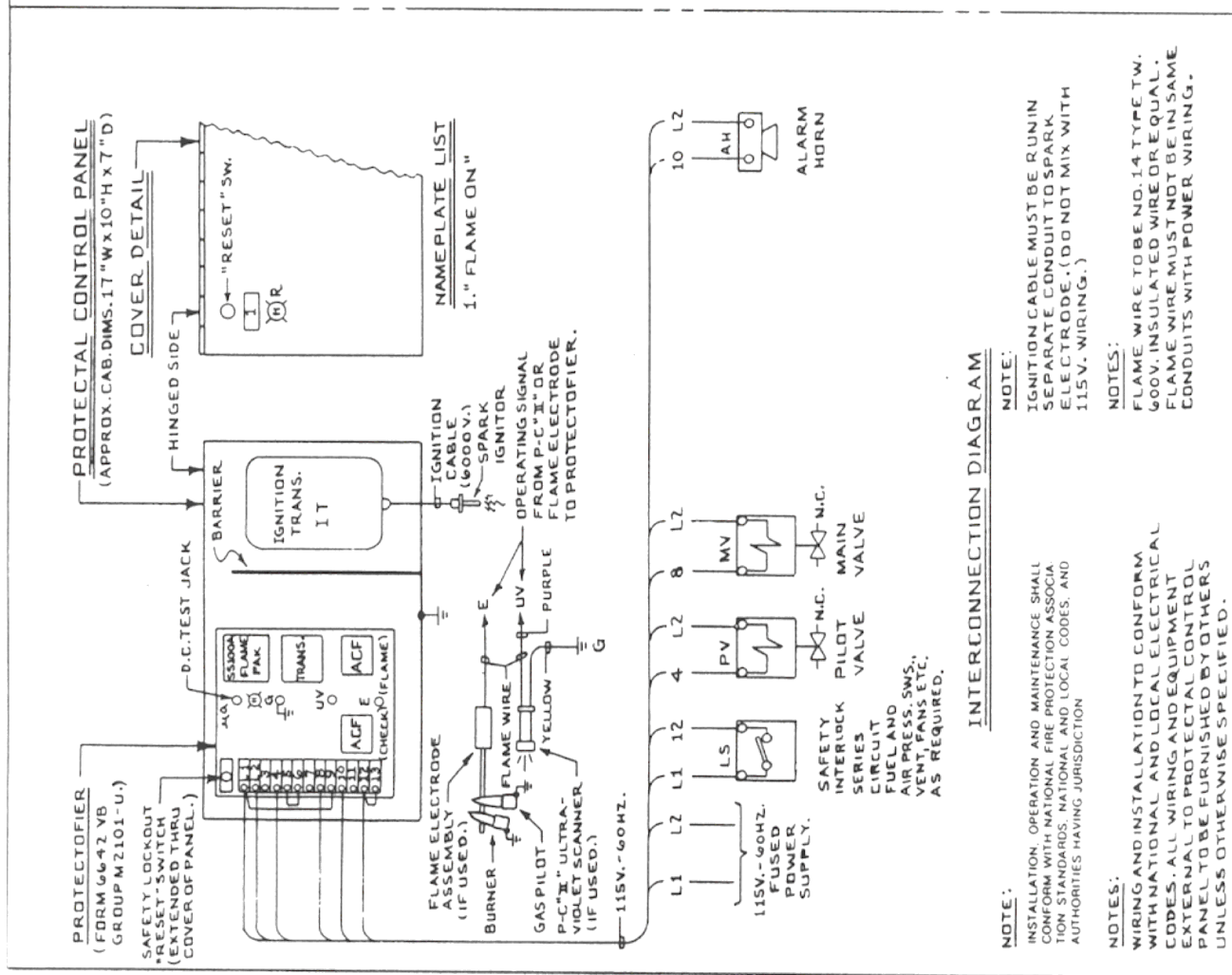
POWER EQUIPMENT CO.

Manufacturers Representative

2011 Williamsburg Rd. • Richmond, VA 23231

(804) 236-3800 • FAX (804) 236-3882

www.peconet.com



CIRCUIT DIAGRAM

PROTECTION CONTROLS, INC.	
SKOKIE, ILLINOIS	
WIRING DIAGRAM FOR:	
PROTECTAL NO. 62019-1VB	
JOB NO.	DATE
DRWN. BY	6-8-74
H. R. V.	X-250

— INTERNAL WIRING.
--- EXTERNAL WIRING.