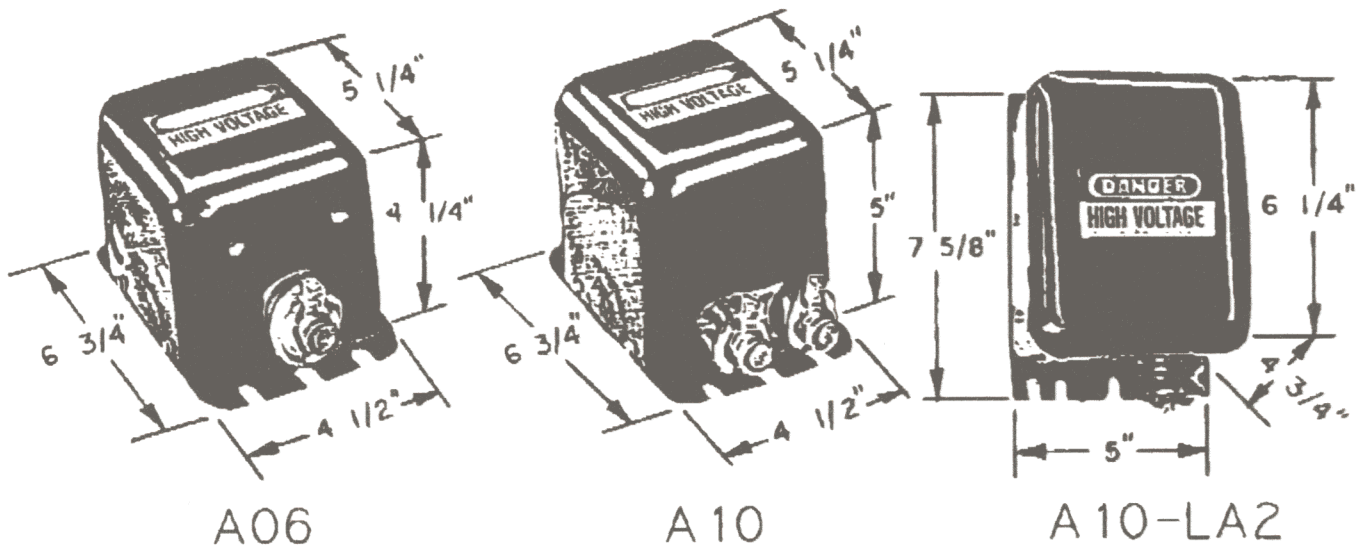
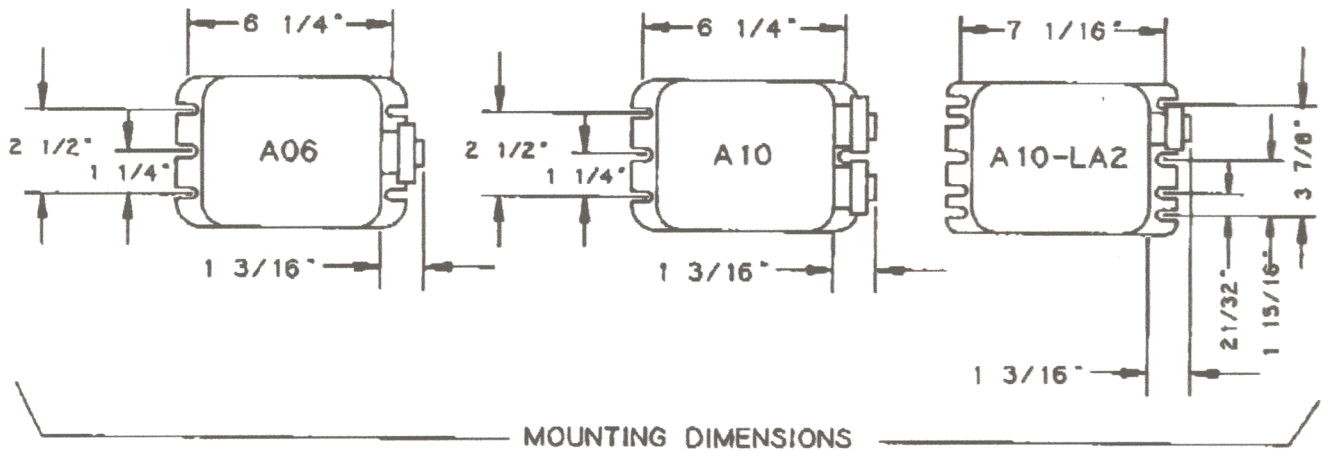


SPEC - IGN TRANS



* FROM HIGH VOLTAGE TERMINAL TO CASE GROUND.

IGNITION TRANSFORMERS	A06	A10	A10-LA2
PRIMARY VOLTAGE	115V. 60HZ.	115V. 60HZ.	115V. 60HZ.
SECONDARY VOLTAGE	1 - 6000V. - TAP*	2 - 5000V. -TAPS*	1 - 10000V. -TAP*
POWER CONSUMPTION	175VA.	250VA.	250VA.
MAXIMUM TEMPERATURE	120°F	120°F	120°F
MAXIMUM SPARK GAP	1/16"	1/16"	1/8"
DIMENSIONS	6 3/4HX4 1/2WX4 1/4D	6 3/4HX4 1/2WX 5D	7 5/8HX 5WX4 3/4D



PROTECTION CONTROLS, INC.

POWER EQUIPMENT CO.

Manufacturers Representative

2011 Williamsburg Rd. • Richmond, VA 23231

(804) 236-3800 • FAX (804) 236-3882

www.peconet.com

NOTE:

IGNITION SYSTEMS SHALL NOT BE USED IN LIEU OF COMBUSTION SAFEGUARDS.

INSTALLATION, OPERATION AND MAINTENANCE SHALL CONFORM WITH NATIONAL FIRE PROTECTION ASSOCIATION STANDARDS, NATIONAL AND LOCAL CODES, AND AUTHORITIES HAVING JURISDICTION. ANY MODIFICATION VOIDS APPROVALS.



PROTECTION CONTROLS, INC.

ELECTRICAL SAFETY EQUIPMENT

STANDARD IGNITION CABLE

DESCRIPTION : Green Core
Clear Shell
MARKING : Protection Controls, Inc. Skokie , IL
SPECIFICATION: 7MM(outside diameter)
20 GA. Seven Strand Bare Copper
PVC Insulation-Core & Shell
275°F Temperature Rating
15 KVDC

HIGH TEMPERATURE IGNITION CABLE

DESCRIPTION : Black Silicone Jacket
MARKING : Protection Controls, Inc. Skokie , IL
SPECIFICATION: 7MM(outside diameter)
Nickel Plated Copper Conductor
19 X 29 NPC
Silicone Core
Fiberglass Braid
550°F Temperature Rating
20 KVDC

